

# LS-MB-7000-CW

LuSol  
LIGHTING

3 WATTS, 24 VOLTS DC

UL Number: E325964

## Features

- 24VDC, 3 Watts per module
- 155 Lumens per watt, 465 Lumens per module
- IP68 Rating
- 170° Beam Angle
- SSC LED chip and UL Listed
- 40 Modules per box, 1 modules per foot @ 40' length.

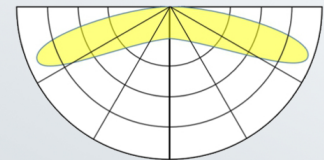


## Product Description

The LS-MB-7000-CW LED module has a large and efficient illumination at high module pitches. Powered by SSC LED chip for high reliability and stability.

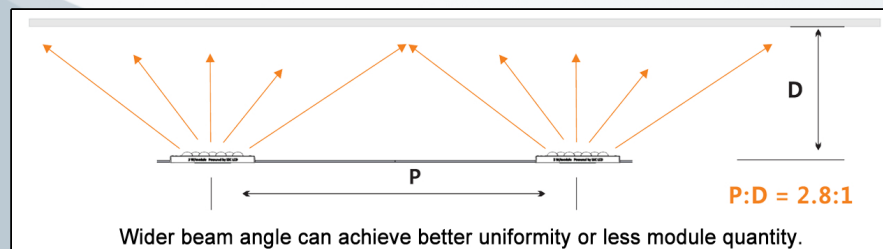
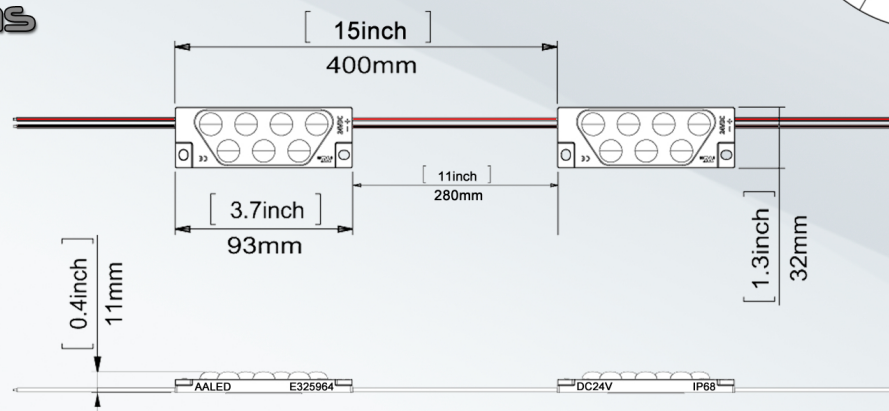
## Ordering Information

Part Number	Color	Color Temp/Wavelength	Luminosity (lm)
LS-MB-7000-CW	Cool White	6200-6500K	465



## Dimensions

(Millimeters)



## Certifications

- cULus
- Sign Components Manual (UL SAM)

## Installation

Connect to Class 2 UL Listed Power Supply via positive and negative leads. Double side tape can be used to secure modules, but secondary fasteners recommended (Screw-hole and Silicone)

\*For reference only, recommended to test with face material to insure even illumination.

Minimum Depth Size: 6.00" Inches  
Maximum Depth Size: 15.00" Inches  
(@ Fully Extended Wire Length)  
Optimal: 6.00" - 10.00" Inches

