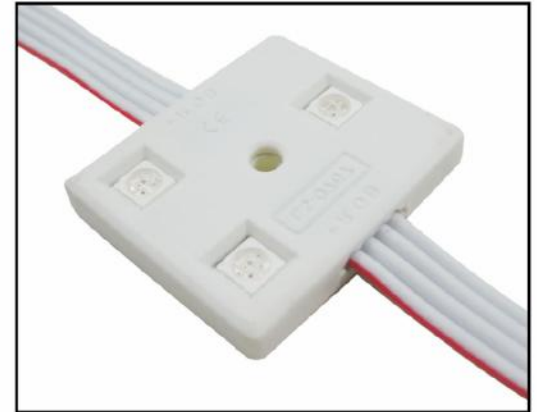
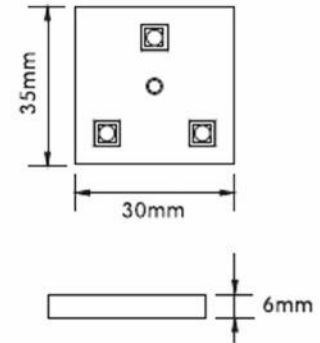


## FEATURE:

- No UV or IR radiation.
- Super thin and flexible
- Waterproof IP65
- High Brightness 3 IN 1 SMD LED
- LED QTY: 3 PCS
- 50000 hours long life span
- 120° Beaming Angle
- Colour: RGB



## SIZE:



- All the size data above is in mm
- Tolerance for the size data is  $\pm 0.2\text{mm}$

## Absolute Maximum Rating at TA=25°C

Parameter	Symbol	Absolute Maximum Rating	Unit
Voltage	$V_{IN}$	DC12V	VAC
Electrostatic Discharge	ESD	2000	V
Operating Temperature	TOPR	-20°C~45°C	°C
Storage Temperature	TSTG	-20°C~60°C	°C

## Electrical/Optical Characteristics at TA=25°C ( $V_{IN}$ =DC12VAC, 50Hz)

Colour	Voltage	Current	Power	Maximum Connection
RGB	DC12V	60mA	0.72W	100Pcs

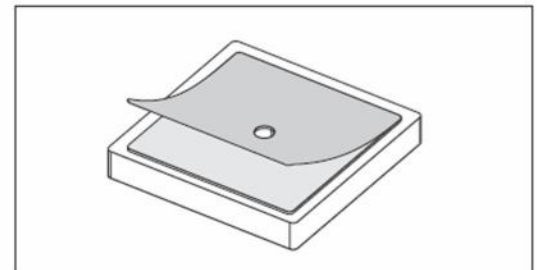
## Installation Instructions:

- Connect grey wire to 12V Positive (+) polarity and white wire to Negative polarity (-) on a 12V power supply.
- Operate on a 12V Constant Current power supply.
- Wire length between power supply should not exceed 3m.
- Use double sided 3M tape to stick on to surface, optional rivet hole can be used to secure permanently.

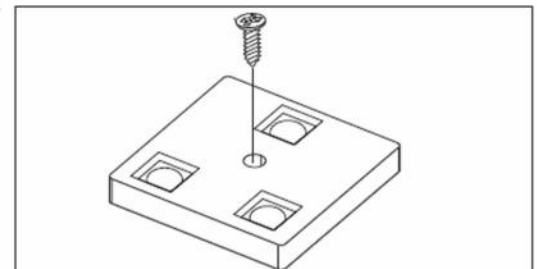
## NOTES:

- Low voltage product, please make sure of the DC12v  $\pm 2\text{V}$  input voltage
- Please don't press the elements on the PCB from any angle by stress
- Non-bendable
- Please don't install in flammable, explosive or corrosive circumstances

## INSTALLATION



1. Please rip PE adhesive tape on the back of the product, then stick to the objects where you want.



2. Use the screws to fasten it again.